

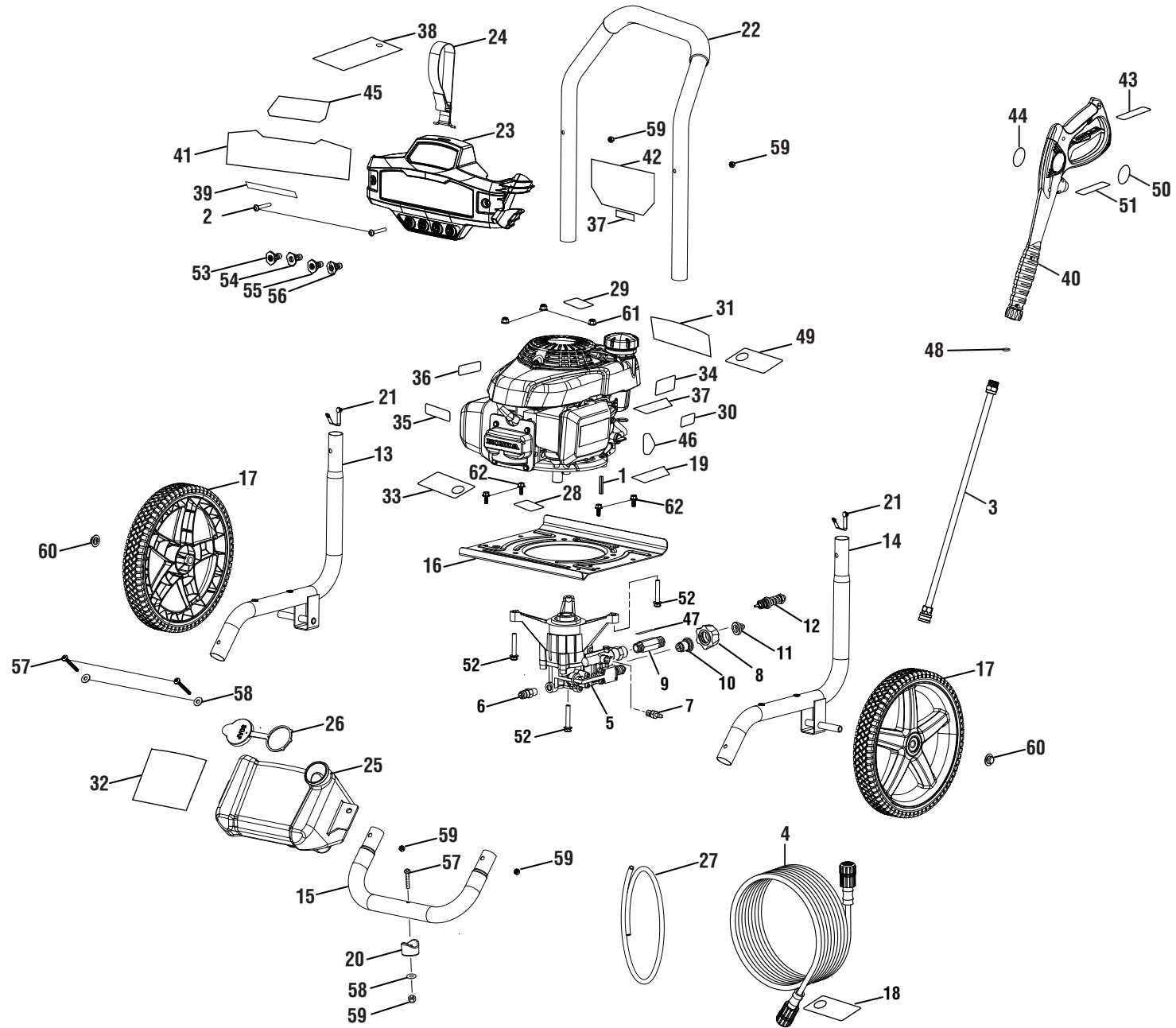


**Pressure Washer
Manufacturing No. 090079381
Item No. PS803125
Replacement Parts List**

OWT INDUSTRIES, INC.

P.O. Box 1427
Anderson, SC 29622 USA
1-877-617-3501
www.powerstroketools.com

POWERSTROKE PRESSURE WASHER – ITEM NO. PS803125



POWERSTROKE PRESSURE WASHER – ITEM NO. PS803125

The model number will be found on a label attached to the engine. Always mention the model number in all correspondence regarding your **PRESSURE WASHER** or when ordering replacement parts.

KEY NO.	PART NUMBER	DESCRIPTION	QTY	KEY NO.	PART NUMBER	DESCRIPTION	QTY
1	678041007	Output Shaft Key	1	36	940680083	Hot Surface and Exhaust Label.....	1
2	661834004	Bolt (M6 x 42 mm, T30 Torx Pan Hd.)	2	37	941486002	Inquiries Label	2
3	308506014	Spray Wand	1	38	961039005	Nozzle Hangtag	1
4	308835083	Hose	1	39	940851245	Nozzle Callout Label.....	1
5	308653078	Pump (Incl. Key Nos. 7-12).....	1	40	308760019	Trigger Handle Assembly (Incl. Key Nos. 50-51)	1
6	678169004	Thermal Release Valve	1	41	940851310	Performance Label	1
7	308452002	Soap Injector Kit	1	42	940851311	Quick Start Label.....	1
8	310993003	Inlet Filter Adapter Insert	1	43	940654228	Trigger Handle Warning Label (French/Spanish)	1
9	308862003	Outlet Tube	1	44	940786044	Powerstroke Spray Wand Logo Label.....	1
10	642058001	Inlet Filter Connector	1	45	940705388	Logo Label.....	1
11	308662001	Inlet Filter Screen.....	1	46	941550007	Engine Label.....	1
12	310924003	Unloader Valve Assembly.....	1	47	940851246	High Pressure Hose Outlet Label	1
13	310703012	Left Frame Assembly (Incl. Key No. 21)	1	48	570742072	O-Ring (9.5 x 2.65, NBR Shore A 90)	1
14	310704013	Right Frame Assembly (Incl. Key No. 21)	1	49	940473011	Danger Hangtag	1
15	310742028	Front Frame Assembly (Incl. Key Nos. 20 & 57-59).....	1	50	940654084	Trigger Handle Warning Label (English).....	1
16	638662037	Engine Plate.....	1	51	940786047	Trigger Handle Specifications Label.....	1
17	308451060	Wheel.....	2	52	660962003	Bolt (M8 x 60mm, Hex Hd.)	3
18	918016005	High Pressure Hose Hangtag.....	1	53	308697012	0° Nozzle	1
19	940803288	EMC ICES-2/NMB-2 Label.....	1	54	308699012	25° Nozzle	1
20	570554002	Wear Pad	1	55	308700012	40° Nozzle	1
21	308421004	Handle Spring Clip	2	56	308706011	Soap Nozzle	1
22	308638060	Handle Assembly.....	1	57	661503015	Screw (M6 x 48 mm, T-30 Torx Hd.)	3
23	310673030	Hose and Nozzle Holder Assembly	1	58	638128004	Washer (1/4 in.).....	3
24	308350003	Hose Holder Strap.....	1	59	678610006	Lock Nut (M6)	5
25	580875021	Soap Tank.....	1	60	679957001	Cap Nut	2
26	310650004	Soap Tank Cap	1	61	678774002	Lock Nut (M8)	3
27	570728009	Chemical Siphon Tube.....	1	62	661505020	Flange Bolt (M6 x 16mm, Hex Hd.)	4
28	940871016	Add Oil Label	1		Not Shown:		
29	940947013	Combustion Warning Label (English/Spanish)	1	995000210	Operator's Manual		
30	940648004	Choke Label	1	995000211	Quick Start Guide		
31	940894014	Danger Label (English/Spanish).....	1	519314001	Funnel		
32	940851312	Soap Tank Label	1	900333015	Wire Tie		
33	961454001	Oil Dipstick Hangtag.....	1	991000839	O-Ring Kit Insert Sheet		
34	940872003	E85 Label.....	1				
35	941714004	Logo Label.....	1				